

Be sure to check out all the exciting products
Rush Creek has to offer. Visit our web site at:

www.triumphsportsusa.com



Warranty:

All of our products come with a one year warranty on all parts.

Manufacturer Defects:

Defective pieces will be replaced at no cost to you. Please e-mail to Customerservice@Triumphsportsusa.com with attached photos of the defective part and we will send replacements. PLEASE NOTE: Cracks in logs are not defects. They develop during the drying process of the logs and do not affect the stability of the game in any way, and lend to the rustic nature of your log game room.

If your product needs service, please be advised that Triumph Sports USA reserves the right to decline service when the product is found to be excessively worn, altered in any way, or when damage is caused by acts other than defective workmanship or materials. This warranty is void if the product has been subject to abuse. For service under this warranty, please contact Triumph Sports USA. You will need your receipt for proof of purchase.



Triumph Sports USA
Aurora, IL 60504
www.triumphsportsusa.com
Rush Creek is a trademark owned by Triumph Sports USA
©2007 Triumph Sports USA. All Rights Reserved.

Item # 37-0001



Rush Creek™

PUB TABLE GAME CENTER



(Chairs not included)



Tools Needed For Assembly:

Screwdriver
Allen wrench (included)
Level

Assembly Tips:

Some drawings or images in this manual may not look exactly like your product. Please read and understand the text before starting each assembly step.

Using wood glue (included) to glue the joints after assembly will provide a stronger bond to the product.

If you are using an electric screw driver in assembly, please set at low torque and do not overtighten the hardware.

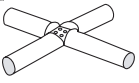





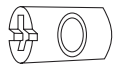





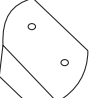

Care:

Apply lemon oil with a soft cotton cloth. Do not use products with silicones. This may cause damage to the finish. Never let the wood get in contact with any type of paint remover.

Connections:

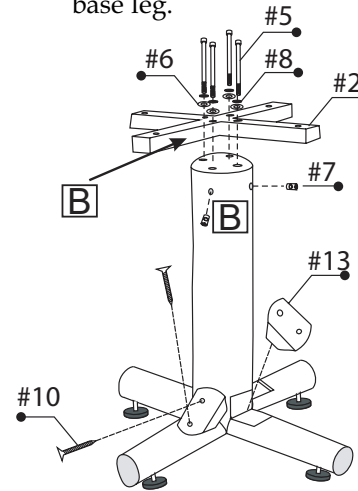
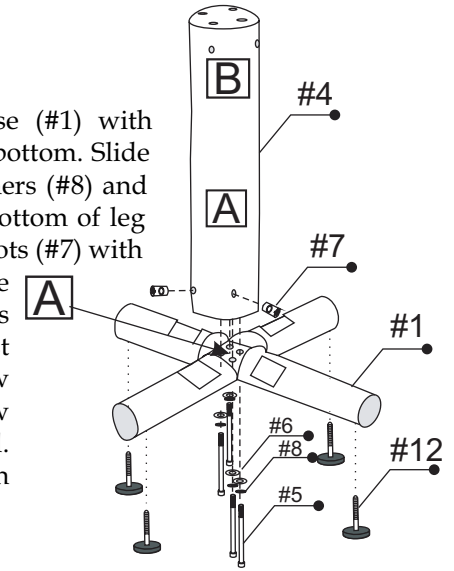
Changes in temperature and humidity will cause the wood to dry out possibly causing the bolts loosen. Check the bolts periodically to make sure they are still tight. DO NOT put your wood game piece directly against hot radiators or sources of heat. Doing this may cause the wood to dry and crack.

Parts List

#1  Base 1 Piece	#2  Table Support 1 Pieces	#3  Table Top 1 Pieces	#4  Leg 1 Pieces	#5  3" Bolt 4 Pieces
#6  7/8" Washer 12 Pieces	#7  Knot 8 Pieces	#8  1/2" Washer 12 Pieces	#9  2" Bolt 4 Pieces	#10  Flat head Screw 8 Pieces
#11  Game Board 1 Pieces	#12  Leg Leveler 4 Pieces	#13  Leg Support 4 Pieces	#14  Allen Wrench 1 Piece	

Step 1

Position Leg (#4) on top of base (#1) with sticker B on top and sticker A on bottom. Slide four leg bolts (#5), four 1/2" washers (#8) and four 1/2" washers (#6) through bottom of leg base (#1) into leg (#4). Insert 4 knots (#7) with the holes facing the screw holes, be sure to leave the end with the slots facing out. You may need to adjust the knot to line it up with the screw hole; this can be done using a screw driver to turn the knot as needed. Screw in leg levelers (#12) into each base leg.



Step 2

Position table support (#2) on top of the leg with sticker B facing the leg sticker B. Attach the table support to the leg with four 3" bolts (#5), four 1/2" washers (#8) and four 7/8" washers (#6). Insert four knots (#7) to the leg. Attach four leg supports (#13) into the base and leg using flat head screw (#10). **NOTE:** Each leg support is labeled C, D, E, F. Each side on the base and leg are also labeled C, D, E, F. Please correspond with stickers. See diagram below.

Step 3

Place the table top (#3) on the pedestal, line up the pre drilled holes in the top with the holes in the base. You may need to lift up the fabric inside the box to locate the pre drilled holes. Tighten the table top with four 2" bolts (#9), four 1/2" washers (#8) and four 7/8" washers (#6). Place the game board (#11) in the table top.

