

Be sure to check out all the exciting products  
*Rush Creek* has to offer. Visit our web site at:

[www.triumphsportsusa.com](http://www.triumphsportsusa.com)



**Warranty:**

All of our products come with a one year warranty on all parts.

**Manufacturer Defects:**

Defective pieces will be replaced at no cost to you. Please e-mail to [Customerservice@Triumphsportsusa.com](mailto:Customerservice@Triumphsportsusa.com) with attached photos of the defective part and we will send replacements. PLEASE NOTE: Cracks in logs are not defects. They develop during the drying process of the logs and do not affect the stability of the game in any way, and lend to the rustic nature of your log game room.

If your product needs service, please be advised that Triumph Sports USA reserves the right to decline service when the product is found to be excessively worn, altered in any way, or when damage is caused by acts other than defective workmanship or materials. This warranty is void if the product has been subject to abuse. For service under this warranty, please contact Triumph Sports USA. You will need your receipt for proof of purchase.



Triumph Sports USA  
Aurora, IL 60504  
[www.triumphsportsusa.com](http://www.triumphsportsusa.com)  
Rush Creek is a trademark owned by Triumph Sports USA  
©2007 Triumph Sports USA. All Rights Reserved.

Item # 37-0002



*Rush Creek*™

**PUB TABLE & CHAIR SET**

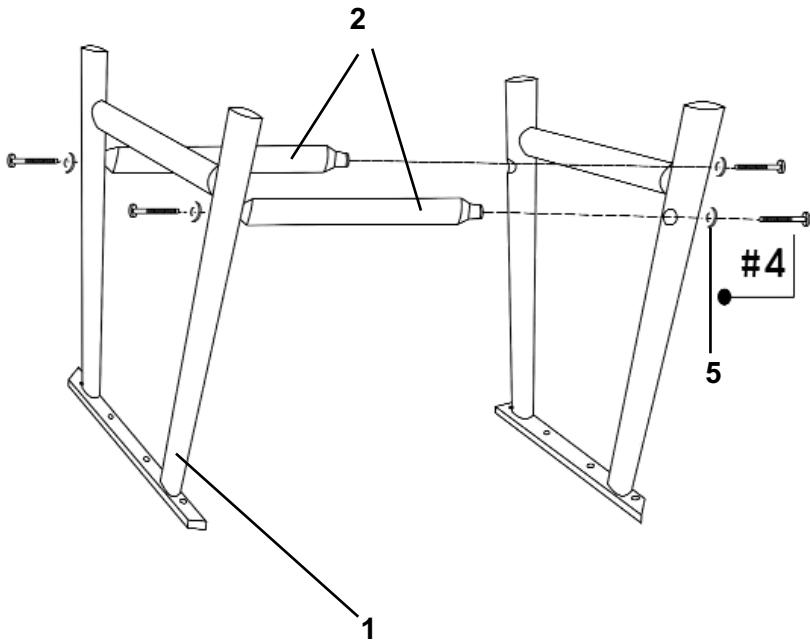




# Table Assembly

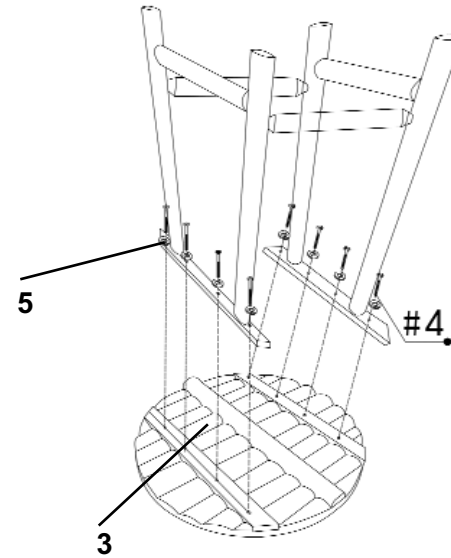
## Step 1

Lay the side panel (#1) on its side with the holes for the leg supports facing up. Place the leg supports (#2) firmly in each hole located on the side panel. Take the other side panel and guide the leg supports in to the holes. Turn over the unit and place it on ground with the legs sticking up. Using the (#4) bolts and (#5) washers thread through the side panel and into the leg support. Do not completely tighten at this point.



## Step 2

Place the table top face down on a soft carpet or a piece of cardboard to avoid scratching. Line up the pre drilled holes on the top of the leg assembly with the pre drilled holes on the bottom of the table top. Using the (#4) bolts and (#5) washers firmly tighten the leg assembly to the under side of the table surface.



## Step 3

Turn the table over and place on a level surface. Make sure all 4 legs are touching the floor and finish tightening the bolts.

## Tools Needed For Assembly:

Screwdriver  
Allen wrench (included)  
Level

## Assembly Tips:

Some drawings or images in this manual may not look exactly like your product. Please read and understand the text before starting each assembly step.

Using wood glue (included) to glue the joints after assembly will provide a stronger bond to the product.

If you are using an electric screw driver in assembly, please set at low torque and do not overtighten the hardware.

## Care:

Apply lemon oil with a soft cotton cloth. Do not use products with silicones this may cause damage to the finish. Never let the wood get in contact with any type of paint remover.

## Connections:

Changes in temperature and humidity will cause the wood to dry out possibly causing the bolts loosen. Check the bolts periodically to make sure they are still tight. DO NOT put your wood game piece directly against hot radiators or sources of heat. Doing this may cause the wood to dry and crack.

## Step 4

When the side panel is firmly fitted, attach bolts (#6), 3/16" washers(#9) and 5/16" washers (#8) through the holes on the side Panel. Do not completely tighten at the point, just make them snug.

## Step 5

Holding both side panels roll the chair on the opposite side and repeat step 2 and 4.

## Step 6

On a level surface set the chair on its legs and push down making sure all 4 legs are touching the floor. Finish tightening all of the bolts (#6) on both sides. Place the chair seat (#4) in place and using screws (#7) tighten from the bottom. Using wood caps (#11) with glue (#10) to fill the holes.

