

Be sure to check out all the exciting products
Rush Creek has to offer. Visit our web site at:

www.triumphsportsusa.com



Warranty:

All of our products come with a one year warranty on all parts.

Manufacturer Defects:

Defective pieces will be replaced at no cost to you. Please e-mail to Customerservice@Triumphsportsusa.com with attached photos of the defective part and we will send replacements. PLEASE NOTE: Cracks in logs are not defects. They develop during the drying process of the logs and do not affect the stability of the game in any way, and lend to the rustic nature of your log game room.

If your product needs service, please be advised that Triumph Sports USA reserves the right to decline service when the product is found to be excessively worn, altered in any way, or when damage is caused by acts other than defective workmanship or materials. This warranty is void if the product has been subject to abuse. For service under this warranty, please contact Triumph Sports USA. You will need your receipt for proof of purchase.



Triumph Sports USA
Aurora, IL 60504
www.triumphsportsusa.com
Rush Creek is a trademark owned by Triumph Sports USA
©2007 Triumph Sports USA. All Rights Reserved.

Item # 37-0003



Rush Creek™

PUB CHAIR



Tools Needed For Assembly:

Screwdriver
Level

Assembly Tips:

Some drawings or images in this manual may not look exactly like your product. Please read and understand the text before starting each assembly step.

Using wood glue (included) to glue the joints after assembly will provide a stronger bond to the product.

If you are using an electric screw driver in assembly, please set at low torque and do not overtighten the hardware.

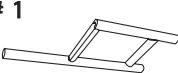


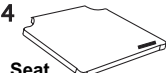






Care:

Apply lemon oil with a soft cotton cloth. Do not use products with silicones. This may cause damage to the finish. Never let the wood get in contact with any type of paint remover.

Connections:

Changes in temperature and humidity will cause the wood to dry out possibly causing the bolts loosen. Check the bolts periodically to make sure they are still tight. DO NOT put your wood game piece directly against hot radiators or sources of heat. Doing this may cause the wood to dry and crack.

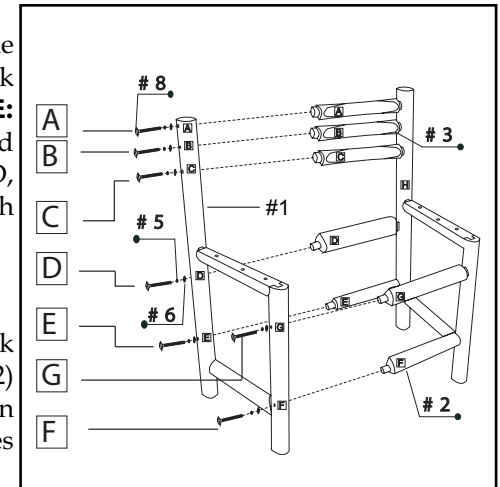
Chair Parts List

# 1  Side Panel 2 Pieces	# 2  Leg Support 4 Pieces	# 3  Back Support 3 Pieces	# 4  Seat 1 Piece
# 5  1/4" Washer 14 Piece	# 6  5/16" Washer 14 Piece	# 7  Flathead Screw 6 Pieces	# 8  Bolt 14 Pieces
# 9  Wood Cap	# 10  Glue		

Chair Assembly

Step 1

Lay chair side panel (#1) on the floor with the holes for the back and leg supports facing up. **NOTE:** Each side panel, back support, and leg support are labeled A, B, C, D, E, F, G. Please correspond with stickers. See diagram.

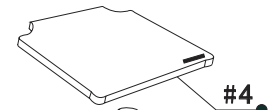


Step 2

Brush the pointed end of back support (#3) and leg support (#2) with wood glue (#10) first, then push in components into the holes on the side panel.

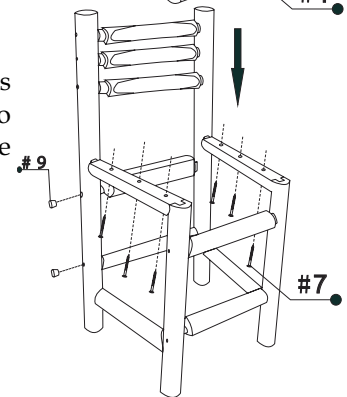
Step 3

Take the other side panel and line up the holes with the leg supports and back supports sticking out from the side panel on the floor.



Step 4

When the side panel is firmly fitted, attach bolts (#8), 1/4" washer (#5) and 5/16" washer (#6) to the side Panel. Do not completely tighten at the point, just make them snug.



Step 5

Holding both side panels roll the chair on the opposite side and repeat step 2 and 4.

Step 6

On a level surface set the chair on its legs and push down making sure all 4 legs are touching the floor. Finish tightening all of the bolts (#8) on both sides. Place the chair seat (#4) in place and using screws (#7) tighten from the bottom. Using wood caps (#9) with glue (#10) to fill the holes.