

Be sure to check out all the exciting products  
*Rush Creek* has to offer. Visit our web site at:

[www.triumphsportsusa.com](http://www.triumphsportsusa.com)



**Warranty:**

All of our products come with a one year warranty on all parts.

**Manufacturer Defects:**

Defective pieces will be replaced at no cost to you. Please e-mail to [Customerservice@Triumphsportsusa.com](mailto:Customerservice@Triumphsportsusa.com) with attached photos of the defective part and we will send replacements. PLEASE NOTE: Cracks in logs are not defects. They develop during the drying process of the logs and do not affect the stability of the game in any way, and lend to the rustic nature of your log game room.

If your product needs service, please be advised that Triumph Sports USA reserves the right to decline service when the product is found to be excessively worn, altered in any way, or when damage is caused by acts other than defective workmanship or materials. This warranty is void if the product has been subject to abuse. For service under this warranty, please contact Triumph Sports USA. You will need your receipt for proof of purchase.



Triumph Sports USA  
Aurora, IL 60504  
[www.triumphsportsusa.com](http://www.triumphsportsusa.com)  
Rush Creek is a trademark owned by Triumph Sports USA  
©2007 Triumph Sports USA. All Rights Reserved.

Item # 37-0005



*Rush Creek*™

**8 PERSON OCTAGON LOG  
POKER TABLE**



## Tools Needed For Assembly:

Screwdriver  
Level

## Assembly Tips:

Some drawings or images in this manual may not look exactly like your product. Please read and understand the text before starting each assembly step.

Using wood glue (included) to glue the joints after assembly will provide a stronger bond to the product.

If you are using an electric screw driver in assembly, please set at low torque and do not overtighten the hardware.

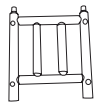
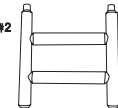
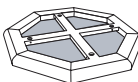


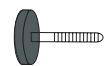




## Care:

Apply lemon oil with a soft cotton cloth. Do not use products with silicones. This may cause damage to the finish. Never let the wood get in contact with any type of paint remover.

## Connections:

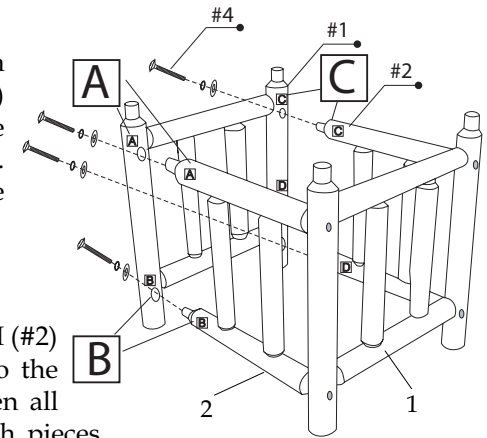
Changes in temperature and humidity will cause the wood to dry out possibly causing the bolts loosen. Check the bolts periodically to make sure they are still tight. DO NOT put your wood game piece directly against hot radiators or sources of heat. Doing this may cause the wood to dry and crack.

## Parts List

#1  <b>Leg Panel (I)</b> 2 Pieces	#2  <b>Leg Panel (II)</b> 2 Pieces	#3  <b>Table Top</b> 1 Piece	#4  <b>Bolt</b> 8 Pieces
#5  <b>Flathead Screw</b> 4 Pieces	#6  <b>Leg Leveler</b> 4 Piece	#7  <b>1/4" Washer</b> 8 Piece	#8  <b>5/16" Washer</b> 8 Piece
#9  <b>Wood Cap</b>	#10  <b>Glue</b>		

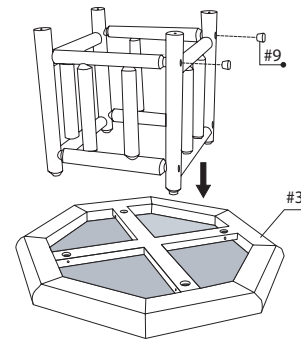
## Step 1

Lay leg panel I (#1) on the floor with the holes for the leg panel II (#2) facing up. **NOTE:** Leg panels are labeled A, B, C, D on each end. Please correspond with stickers. See diagram.



## Step 2

Brush the pointed end of leg panel II (#2) with wood glue (#10), push it into the holes on the leg panel I (#1). When all four panels are firmly fitted, attach pieces with bolts (#4), 1/4" washer (#7) and 5/16" washer (#8). Do not completely tighten leg panels until step 3 is completed.



## Step 3

Lay table top (#3) on a smooth surface up side down, position assembled legs on top, brush glue on the pointed end of panels, tighten the piece with screws (#5). Using wood caps (#9) with glue (#10) to fill the holes.

## Step 4

Screw the leg levelers (#6) to the bottom of the legs.

## Step 5

With a friend's help, carefully turn the table over.

