



## Tools Needed For Assembly:

Screwdriver

## Assembly Tips:

If you are using an electric screwdriver for assembly, set it at low torque and do not over-tighten the hardware.


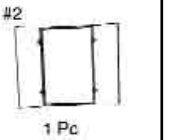
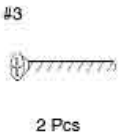
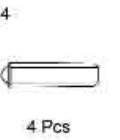
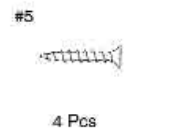
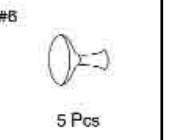
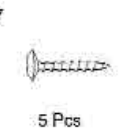
## Care:

Apply lemon oil with a soft cotton cloth. Do not use products with silicone; these may cause damage to the finish. Do not allow the wood to come in contact with any type of paint remover.

## CONNECTIONS:

Changes in temperature and humidity may cause the wood to dry out, which can cause the bolts to loosen. Check the bolts periodically to make sure they are still tight. DO NOT put your wood cabinet directly against hot radiators or other sources of heat. This may cause the wood to dry and crack.

## Parts List

 #1 1 Pc	 #2 1 Pc	 #3 2 Pcs	 #4 4 Pcs
 #5 4 Pcs	 #6 5 Pcs	 #7 5 Pcs	

