



Item # 45-6013

# *Center Line*

---

*Air Powered* **HOCKEY TABLE**





## **WARNING:**

At least two adults are needed to put this game table together.

### **Tools Needed For Assembly:**

Screwdriver

Alan wrench (included)

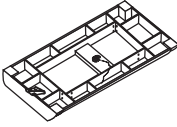

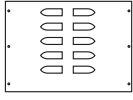









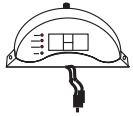




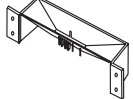
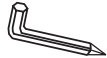
Level

### **Assembly Tips:**

Some drawings or images in this manual may not look exactly like your product. Please read and understand the text before starting each assembly step.

If you are using an electric screw driver in assembly, please set at low torque and do not overtighten the hardware.

# Parts List

<p>①</p>  <p>CABINET ASSEMBLY 1EA</p>	<p>②</p>  <p>LEG 4EA</p>	<p>③</p>  <p>LEG END PANEL 2EA</p>	<p>④</p>  <p>LEG PANEL SUPPORT 2EA</p>
<p>⑤</p>  <p>8X40MM LEG BOLT 16EA</p>	<p>⑥</p>  <p>22MM FLAT WASHER 16EA</p>	<p>⑦</p>  <p>3.5X28MM WASHER HEAD SCREW12EA</p>	<p>⑧</p>  <p>3.5X18MM FLAT HEAD 2EA</p>
<p>⑨</p>  <p>3.5X25MM FLAT HEAD 4EA</p>	<p>⑩</p>  <p>3.5X12MM WASHER HEAD SCREW4EA</p>	<p>⑪</p>  <p>PRE-INSTALLED MOTOR 1EA</p>	<p>⑫</p>  <p>PUCK RETURN UNIT 2EA</p>
<p>⑬</p>  <p>SCORER 1EA</p>	<p>⑭</p>  <p>PUSHER 2EA</p>	<p>⑮</p>  <p>PUCK 4EA</p>	<p>⑯</p>  <p>SCORER 2EA</p>
<p>⑰</p>  <p>LEG LEVELER 4 EA</p>	<p>⑱ PRE-INSTALLED</p>  <p>INDUCTANCE BOX 2EA</p>	<p>⑲</p>  <p>ALLEN KEY 1EA</p>	

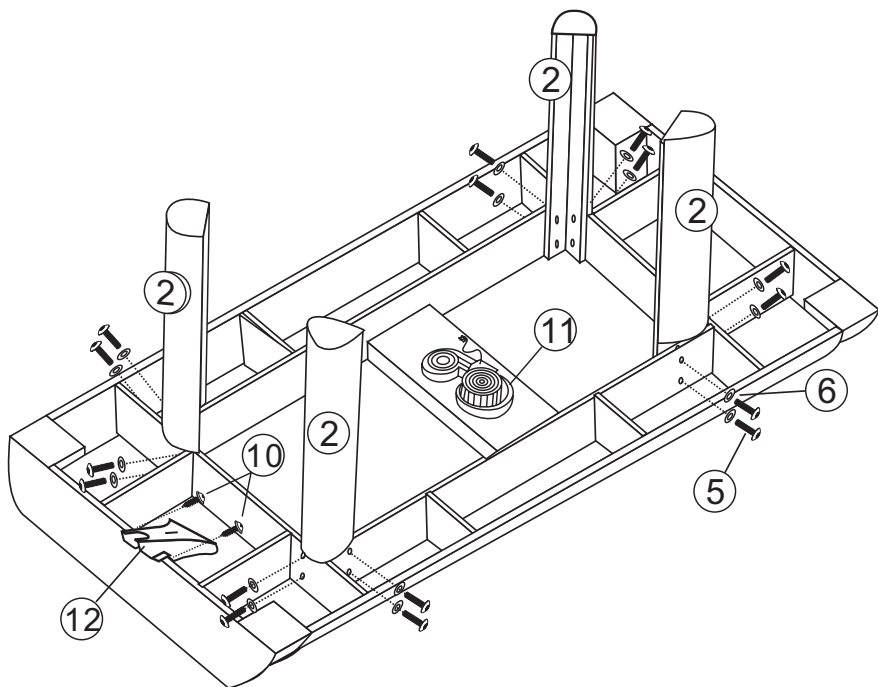
# Step 1

Attach legs (#2) to the base frame using leg bolts (#5) and washers (#6).

**IMPORTANT:** Do not completely tighten leg bolts until step 3 and 4 are completed.

# Step 2

Attach Puck return unit (#12) to each end of the base frame using washer head screws (#10) .



## Step 3

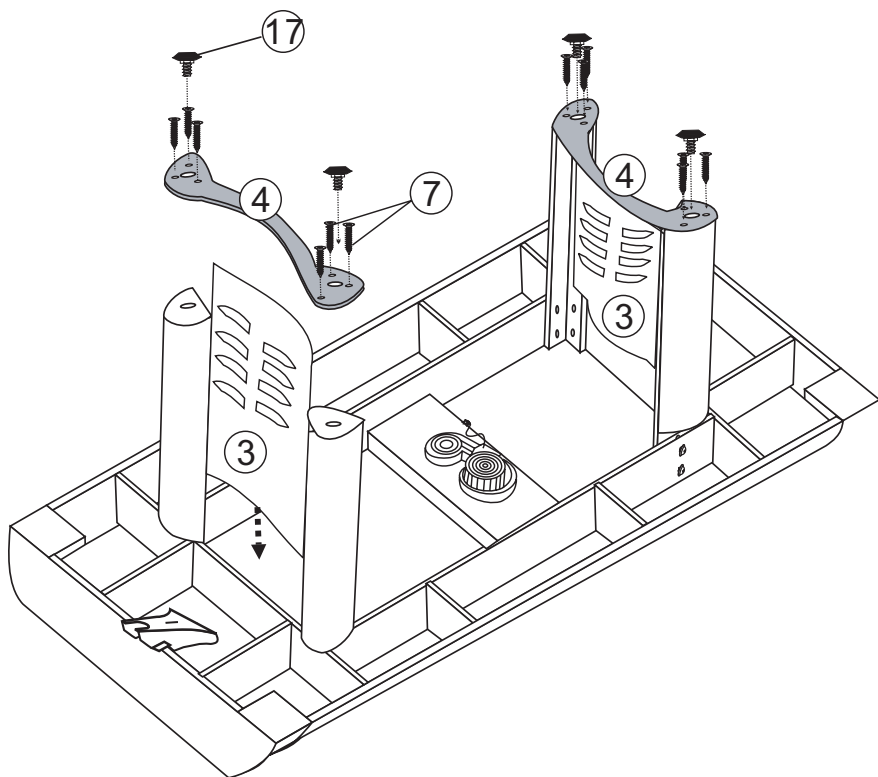
Slide end panel (#3) into the tracks on the inside of the legs.

## Step 4

Attach leg panel support (#4) to the top of the legs using washer head screws (#7).

## Step 5

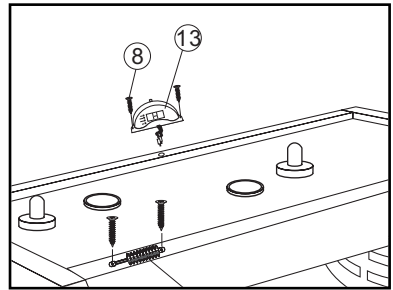
Screw in leg levelers (#17) into each leg and turn table over.



# Step 6

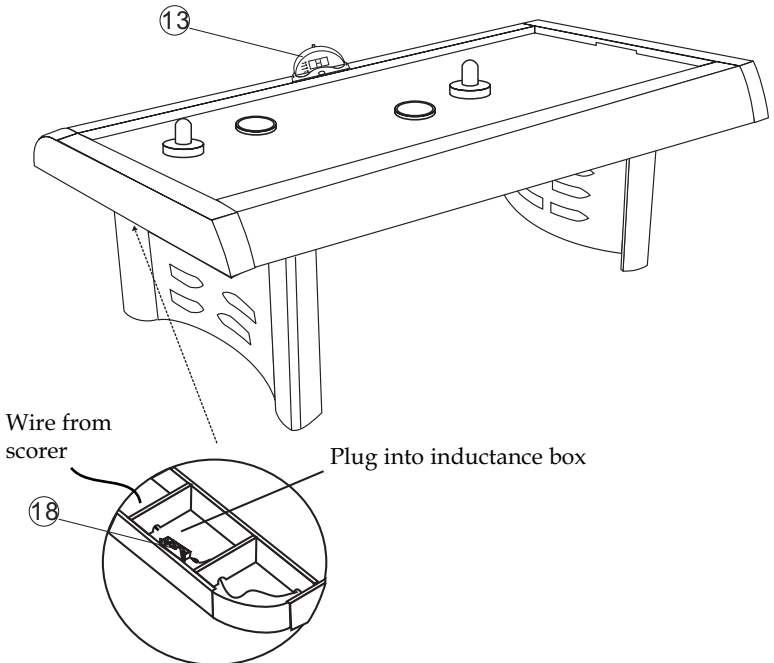
Thread the wires coming from the LCD scorer (#13) through the opening on the side rail. Secure the LCD scorer to the side rail using two flat head screws (#8). Pilot holes show the proper screw placement.

**IMPORTANT:** Do not over tighten or the scorer may be damaged.

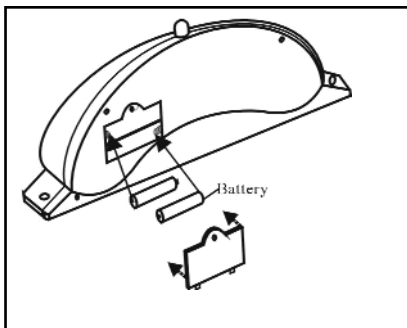


# Step 7

From underneath the table connect the wires from the LCD scorer (#13) to the inductance box (#18). Each of the wires from the scorer has a male end. Connect one wire to each of the inductive box with the female plug. Be sure to attach the correct wire to the correct inductance box (#18) or the LCD scorer will count for the opposed player goal. If this occurs just switch the wires to the correct inductance box.

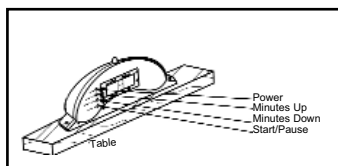
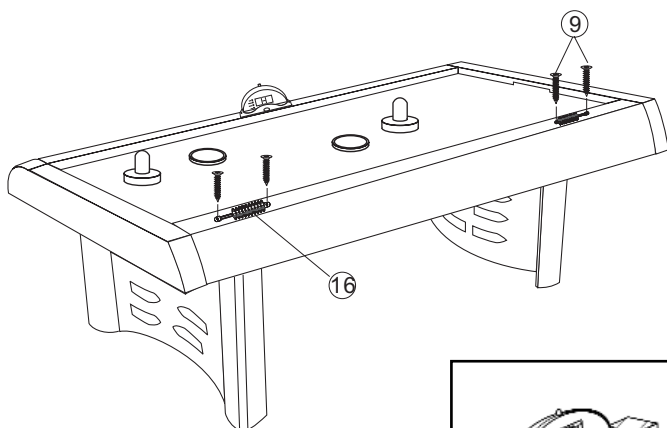


**CAUTION:** Batteries required for the electronic scorer and not included in the package. Remove the cover from the back of the LCD scorer and insert the two AA Batteries.



## Step 8

Using flat head screws (#9) attach score units (#16) to each end of the rail.



## Electronic Scoring Operations

1. Press "Minutes up" and "Minutes down" to select the desired time mode.
2. Press "Start/Pause" key to start the game during the game, press the same button once to pause, press the button again to restart the game.
3. Goal sensors will automatically register the scores to each player.
4. At the end of the game, press "Start/Pause" to start a new round.
5. Press & hold the "Power" 2~3 seconds to switch off the scorer.

**CAUTION: THE ELECTRONIC SCORING UNIT HAS THE INFRARED SENSOR. BE AWARE THAT YOU DO NOT PUT OVER 2 PUCKS IN THE PUCK RETURN UNIT; OTHERWISE, THE SCORER CANNOT SCORE PROPERLY.**

Be sure to check out all the exciting games  
**TRIUMPH SPORTS USA** has to offer. Visit our web site at:

[www.triumphsportsusa.com](http://www.triumphsportsusa.com)



### 90 day TSU Game Warranty

All TSU games have a 90 day from date of purchase warranty. This warrants the retail purchaser for any of the TSU games purchased to be free from any defects in materials and construction for 90 days from date of purchase. Normal play wear and usage is not covered under the warranty or improper use of any TSU game. This will void any and all TSU warranty.

If you have any problems with your new product, DO NOT RETURN IT TO THE STORE, please contact us at 1-866-815-4173, or email to [Customerservice@Triumphsportsusa.com](mailto:Customerservice@Triumphsportsusa.com)

Triumph Sports USA  
Aurora, IL 60504

[www.triumphsportsusa.com](http://www.triumphsportsusa.com)

©2007 Triumph Sports USA. All Rights Reserved.