



Item # 45-6016

# *Ice Champ*

---

*Air Powered* **HOCKEY TABLE**





## **WARNING:**

At least two adults are needed to put this game table together.

### **Tools Needed For Assembly:**

Screwdriver

Allen wrench (included)

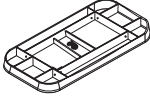


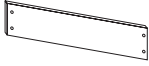
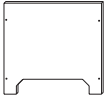
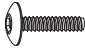











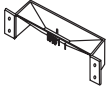
Level

### **Assembly Tips:**

Some drawings or images in this manual may not look exactly like your product. Please read and understand the text before starting each assembly step.

If you are using an electric screw driver in assembly, please set at low torque and do not overtighten the hardware.

# Parts List

<p>① PRE-INSTALLED</p>  <p><b>TABLE ASSEMBLY 1EA</b></p>	<p>②</p>  <p><b>LEFT LEG 2EA</b></p>	<p>③</p>  <p><b>RIGHT LEG 2EA</b></p>	<p>④</p>  <p><b>LEG SIDE PANEL 2EA</b></p>
<p>⑤</p>  <p><b>LEG END PANEL 2EA</b></p>	<p>⑥</p>  <p><b>8X30MM LEG BOLT 12EA</b></p>	<p>⑦</p>  <p><b>22MM FLAT WASHER 12EA</b></p>	<p>⑧</p>  <p><b>LEG LEVELER 4 EA</b></p>
<p>⑨</p>  <p><b>4X25MM WASHER HEAD BOLT 16EA</b></p>	<p>⑩</p>  <p><b>ALLEN KEY 1EA</b></p>	<p>⑪</p>  <p><b>3.5X18MM ROUND HEAD SCREW 2EA</b></p>	<p>⑫</p>  <p><b>LCD SCORER 1EA</b></p>
<p>⑬</p>  <p><b>PUCK 4EA</b></p>	<p>⑭</p>  <p><b>PUSHER 2EA</b></p>	<p>⑮</p>  <p><b>PUCK RETURN NUT 2EA</b></p>	<p>⑯</p>  <p><b>3.5X10.5MM WASHER HEAD SCREW 4EA</b></p>
<p>⑰ PRE-INSTALLED</p>  <p><b>HOCKEY MOTOR 1EA</b></p>	<p>⑱ PRE-INSTALLED</p>  <p><b>INDUCTIVE BOX 2EA</b></p>		

# Step 1

## Leg Assembly:

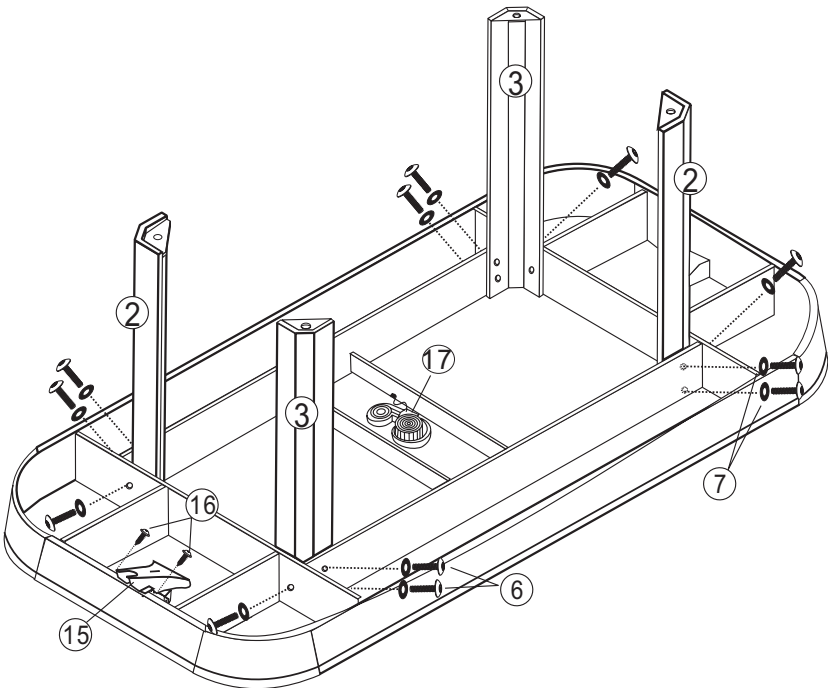
Attach right leg (#3) inside the table frame (#1) and make sure the slot is facing toward the center of the table. Using two leg bolts (#6) and washers (#7) to tighten the leg and the frame. Repeat the step for left leg (#2).

**IMPORTANT:** Do not completely tighten leg bolts until panels (#5) are installed.

# Step 2

## Puck Return Unit:

Attach Puck return unit (#15) to each end of the base frame using washer head screws (#16).



# Step 3

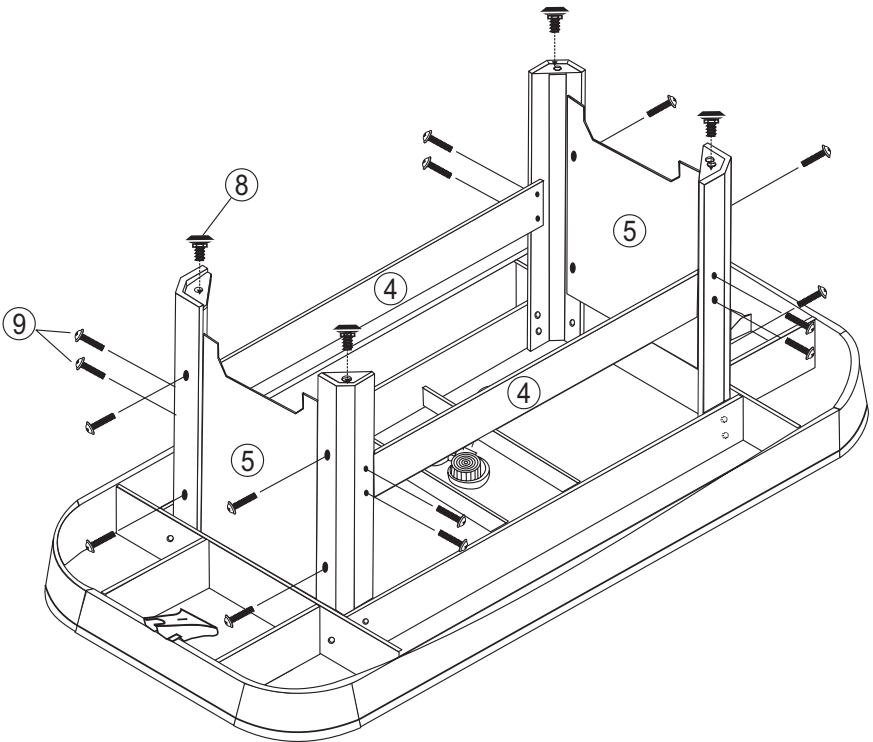
## Leg Panel:

Position a leg panel (#5) between two legs, secure the panel with four washer head bolts (#9). After attach both leg panels into legs, position a leg side panel (#4) to the legs, make sure the panel is inside of legs. Tighten the panel with washer head bolts (#9).

# Step 4

## Leg Leveler:

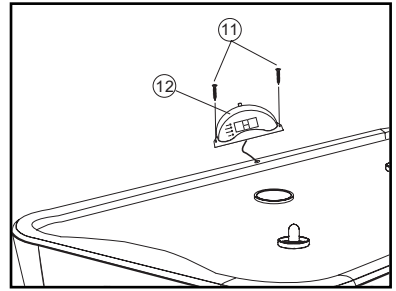
Attach leg leveler (#8) into the bottom of each leg. With a friend's help, turn the table over.



# Step 5

## LCD Scorer:

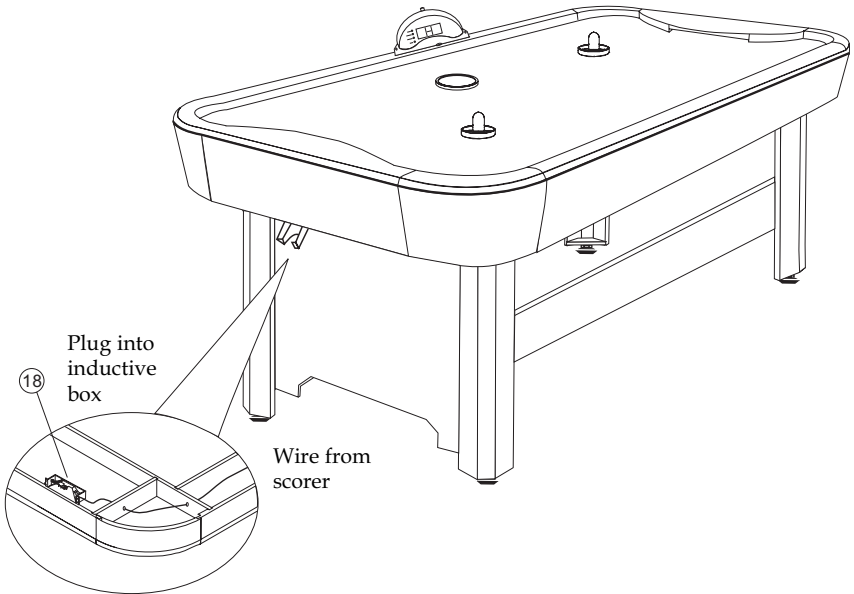
Thread the wires coming from the LCD scorer (#12) through the opening on the side rail. Secure the LCD scorer to the side rail using two round head screws (#11). Pilot holes show the proper screw placement.



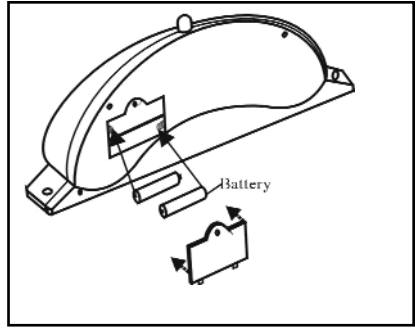
**IMPORTANT:** Do not over tighten or the scorer may be damaged.

# Step 6

From underneath the table connect the wires from the LCD scorer (#12) to the inductive box (#18). Each of the wires from the scorer has a male end. Connect one wire to each of the inductive box with the female plug. Be sure to attach the correct wire to the correct inductance box (#18) or the LCD scorer will count for the opposed player goal. If this occurs just switch the wires to the correct inductance box.

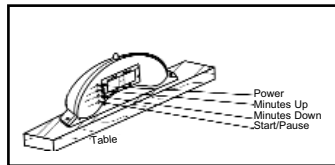


**CAUTION:** Batteries required for the electronic scorer and not included in the package. Remove the cover from the back of the LCD scorer and insert the two AA Batteries.



## Electronic Scoring Operations

1. Press "Minutes up" and "Minutes down" to select the desired time mode.
2. Press "Start/Pause" key to start the game during the game, press the same button once to pause, press the button again to restart the game.
3. Goal sensors will automatically register the scores to each player.
4. At the end of the game, press "Start/Pause" to start a new round.
5. Press & hold the "Power" 2~3 seconds to switch off the scorer.



**CAUTION: THE ELECTRONIC SCORING UNIT HAS THE INFRARED SENSOR. BE AWARE THAT YOU DO NOT PUT OVER 2 PUCKS IN THE PUCK RETURN UNIT; OTHERWISE, THE SCORER CANNOT SCORE PROPERLY.**

Be sure to check out all the exciting games  
**TRIUMPH SPORTS USA** has to offer. Visit our web site at:

[www.triumphsportsusa.com](http://www.triumphsportsusa.com)



### 90 day TSU Game Warranty

All TSU games have a 90 day from date of purchase warranty. This warrants the retail purchaser for any of the TSU games purchased to be free from any defects in materials and construction for 90 days from date of purchase. Normal play wear and usage is not covered under the warranty or improper use of any TSU game. This will void any and all TSU warranty.

If you have any problems with your new product, DO NOT RETURN IT TO THE STORE, please contact us at 1-866-815-4173, or email to [Customerservice@Triumphsportsusa.com](mailto:Customerservice@Triumphsportsusa.com)

Triumph Sports USA  
Aurora, IL 60504

[www.triumphsportsusa.com](http://www.triumphsportsusa.com)

©2007 Triumph Sports USA. All Rights Reserved.